

MODELS PT-33, PT-41, Codes 121-122; and PT-61, Codes 121-122

SPECIFICATIONS

Models PT-33, PT-41, Codes 121 and 122, PT-61, Codes 121 and 122, are five tube superheterodyne radios covering a frequency range from 540 to 1580 kilocycles (K. C.) These models are equipped with a loop aerial built into the cabinet for portable use and do not need an aerial under average receiving conditions. Connections are also provided on the rear of the cabinet for attaching an outside aerial, to obtain maximum performance in locations where signal strength is weak, such as in apartment houses, hotels and other shielded locations. If an outside aerial is necessary, the Philco Utility Aerial, Part No. 40-6384, is recommended.

These models are similar with the exception of the cabinets. The circuit diagram and parts list shown below applies to all models.

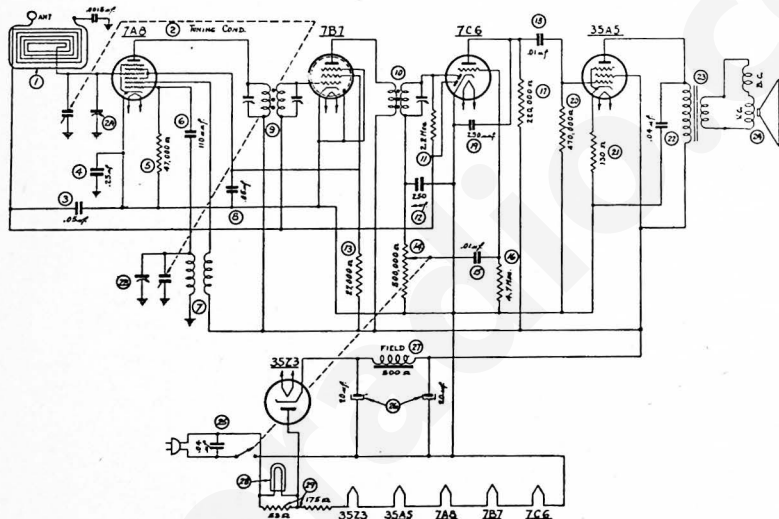
INTERMEDIATE FREQUENCY: 455 K. C.

POWER SUPPLY: Operates on either a 115 volt alternating current (A. C.) or 115 volt direct current (D. C.) power supply.

Note—If no sound is heard on D. C. circuits after the tubes are sufficiently heated, reverse the plug of the cable in the outlet. If a slight hum is heard when operating on an A. C. power supply, the power plug should be reversed.

PHILCO TUBES USED: One 7A8, converter; one 7B7, I. F. amplifier; one 7C6, 2nd detector, 1st audio, A. V. C.; one 35A5, audio output and one 35Z3, rectifier.

ALIGNING PROCEDURE: The instructions for adjusting the R. F. and I. F. compensators will be found on page 8.



REPLACEMENT PARTS

SCH. No.	DESCRIPTION	PART No.	SCH. No.	DESCRIPTION	PART No.	SCH. No.	DESCRIPTION	PART No.
1	Loop Antenna Assem. (Code 121)	38-9858	24	Speaker	36-1489		Knob (Tuning, Volume, PT-61)	27-4815
	Loop Antenna Assem. (Code 122)	32-3179	25	Tubular Condenser (.04 mf., 400 V.)	30-41198		Pointer (Dial)	27-4891
2	Tuning Condenser (Code 121)	31-2429	26	Electrolytic Condenser			Mounting Clip	28-5002
	Tuning Condenser (Code 122)	31-2448		(20-20 mf., 150 V.)	30-2382		Screw (Handle Mounting)	W-2043
3	Tubular Condenser (.05 mf., 200 V.)	30-45198	27	Field Coil	Part of Speaker No. 36-1489		Screw (Chassis Mounting)	W-2176
4	Tubular Condenser (.25 mf., 400 V.)	30-46048	28	Pilot Lamp	34-2068		Screw (Back Mounting)	W-2029
5	Resistor (47,000 ohms, ¼ watt)	33-547154	29	Line Resistor	33-3387		Screw (Back Mounting)	56-6056
6	Resistor (180 ohms, ¼ watt)	33-119338					Snap Fastener	56-1387
7	Mica Condenser (110 mmf.)	30-1130					Spring	28-8954
8	Oscillator Transformer	32-3182					Speaker	36-1469
9	Tubular Condenser (.05 mf., 200 V.)	30-45198					Socket (Pilot Lamp)	38-9825
10	1st I. F. Transformer	32-3177					Socket (Tubes)	27-6130
11	2nd I. F. Transformer	32-3178					Screw (Chassis Mounting, PT-61)	W-2030
12	Resistor (2.2 megs., ¼ watt)	33-522154					Screw (Back Mounting, PT-61)	W-2023
13	Mica Condenser (250 mmf.)	61-0083						
14	Resistor (27,000 ohms, ¼ watt)	33-527334						
15	Volume Control (500,000 ohms)	38-5306						
16	Tubular Condenser (.01 mf., 200 V.)	30-447958						
17	Resistor (4.7 megs., ¼ watt)	33-547154						
18	Resistor (220,000 ohms, ¼ watt)	33-422154						
19	Tubular Condenser (.01 mf., 400 V.)	30-45728						
20	Mica Condenser (250 mmf.)	61-0083						
21	Resistor (470,000 ohms, ¼ watt)	33-447154						
22	Resistor (180 ohms, ¼ watt)	33-119338						
23	Tubular Condenser (.04 mf., 400 V.)	30-41198						
24	Output Transformer							
	Part of Speaker No. 36-1469-1	32-8047						
	Part of Speaker No. 36-1469-9	32-8044						
	Part of Speaker No. 36-1469-2	32-8044						

MISCELLANEOUS PARTS

Cable (Power)	L-3199
Cabinet (PT-33)	10364A
Cabinet Back (PT-33)	27-4821
Cabinet (PT-41)	10448B
Cabinet (PT-61)	10449A
Cone Assembly	
(for Speaker 36-1469-9)	36-4113
(for Speaker 36-1469-1)	36-4115
(for Speaker 36-1469-2)	36-4132
Dial (PT-41, PT-61, Code 122)	27-5570
Dial (PT-33, PT-41, Code 121)	27-5554
Dial (PT-61)	27-5554
Dial Drive Cord	31-2358
Dial Drive Shaft	31-2370
Dial Window	27-5472
Grille Cloth Assembly	318-1120
Handle (Cabinet)	45-6052
Knob (Tuning, Volume, PT-33, PT-41)	27-4809

PRODUCTION CHANGES

Several parts were changed in these models and the code numbers changed from 121 to 122. These changes are as follows:

MODEL PT-41

Code 121	Code 122
Dial	27-5570
Instructions	39-6570
Loop Aerial Assembly	38-9858
Tuning Condenser	31-2429

MODEL PT-61

Code 121	Code 122
Dial	27-5570
Instructions	39-6570
Loop Aerial Assembly	38-9858
Tuning Condenser	31-2429